
Operating manual

SWK-2000/40/WSA filter mobile

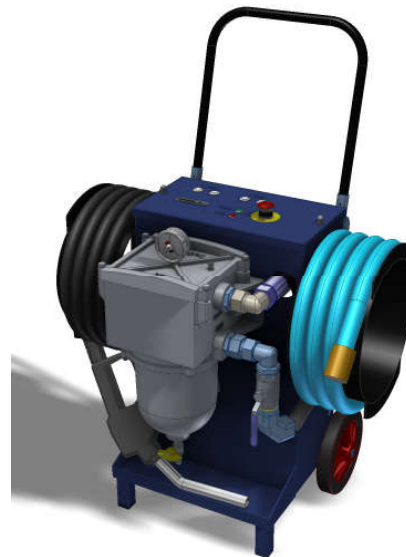
These operating instructions are valid for:

SWK-2000/40/WSA filter mobile

HW Version 0.9 and 1.0

SW Version 18.0

Article No.: 06 2386



Randweg 1 | 8061 RW Hasselt

Tel: 038 4773800

Fax: 038 4773888

info@snijderfiltertechniek.nl

www.snijderfiltertechniek.nl

Contents

1	References	4
2	General	5
3	Notes on safety	5
3.1	Utilisation according to specification.....	5
4	Scope of delivery	6
5	Technical data	8
5.1	Electrical specs.....	8
5.1.1	Battery operation.....	8
5.1.2	Mains operation.....	8
5.2	Temperature range.....	8
5.3	Mechanical data.....	8
5.4	Weight and dimensions	9
6	Transport grip.....	10
7	Electrical connections	11
7.1	Mechanical connections	11
8	Connection	12
8.1	Network or battery connection cable dismantling.....	13
9	Indications and operating elements	14
10	Function	15
10.1	Fuel filling nozzle.....	16
10.2	Pump and filter operation	17
10.2.1	Timer function.....	19
10.2.2	Fault reports.....	20
10.3	Selection of the display-language.....	22
10.4	Automatic pump disconnection and dry-running monitoring.....	23
10.4.1	Selection of the automatic pump disconnection and the dry-running monitoring.....	23
10.5	Water sensor.....	25
11	Notes on use	26
11.1	Maintenance.....	26
11.1.1	Water drain	26
11.1.2	Filter change	26

11.1.3	Sensor technology.....	26
11.2	Filter bowl cleaning.....	27
11.3	Water sensor cleaning	27
12	Declaration of conformity.....	28
13	Index.....	29

1 References

- [R1] Type: Installation instructions
Title: Installation instruction SEPAR english.pdf

2 General

The filter mobile is subjected to a detailed final control check in the works. Therefore small quantities of diesel oil can still be present in the device. These remaining quantities do not impair either the storage or the function of the device.

3 Notes on safety

The two available connections for the supply voltage (Connection 1: Mains supply line for 115 V AC or 230 V AC. Connection 2: Connection for 12 V DC battery operation) may not be used simultaneously. Operation at any operating voltages other than listed in the technical data is not permissible. Employment in explosion-hazard areas is not allowed. The maximum ambient temperature for the operation of the filter mobile is 40°C. If the electrical cables should indicate damage, switch off the filter mobile immediately using the emergency switch and disconnect from the supply voltage (pull plug or with 12 V operation remove terminals from the battery). In case of damage to the bus system and the filter, the filter mobile may also not be employed since otherwise fuel can reach the environment.

The pump motor and the supply line can warm up considerably during operation. Touching these parts is to be avoided to protect against burn injuries.

If the filter mobile is operated at ambient temperatures above 25°C, the operator interface can warm up considerably!

In order to avoid the discharge of fuel residues, the fuel filling nozzle and the shut-off valve must be closed after the use of the filter mobile.

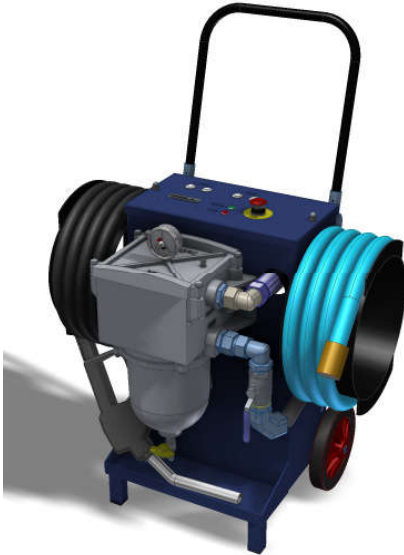
3.1 Utilisation according to specification

Provide diesel oils and mineral oils with a dynamic viscosity < 10 Pas, a flash point > 55°C and a boiling point > 160°C. The utilisation of liquids which can attack the filter casing (aluminium), the pumps (steel), the plastic parts (polyamides) and the seals (NBR) is not planned, and can lead to damage to the filter mobile or to dangerous operating states.

All work on the SWK-2000/40/WSA filter mobile must be implemented in voltage-free status.

4 Scope of delivery

- SWK-2000/40/WSA filter mobile



- 12 V supply line with crocodile clips, plug connector, fuse holder and fuse protection (50 A).



- 230 V supply line with plug incorporating grounding contact and PowerCon plug connector



- Operating manual



5 Technical data

These operating instructions describe the module assembly in the following implementation:

Hardware version: 0.9 and 1.0

Software version: 18.0

5.1 Electrical specs.

5.1.1 Battery operation

Operating voltage: 12 V DC

Maximum operating voltage: 15 V DC

Maximum current consumption: 30 A

5.1.2 Mains operation

Operating voltage: 100 V AC to 240 V AC

Mains frequency: 50 Hz to 60 Hz

Maximum current consumption: 5 A (at 115 V AC)

5.2 Temperature range

Operating temperature: -40°C to 40°C

Storage temperature: -40°C to 80°C

5.3 Mechanical data

IP Protection Type: IP41

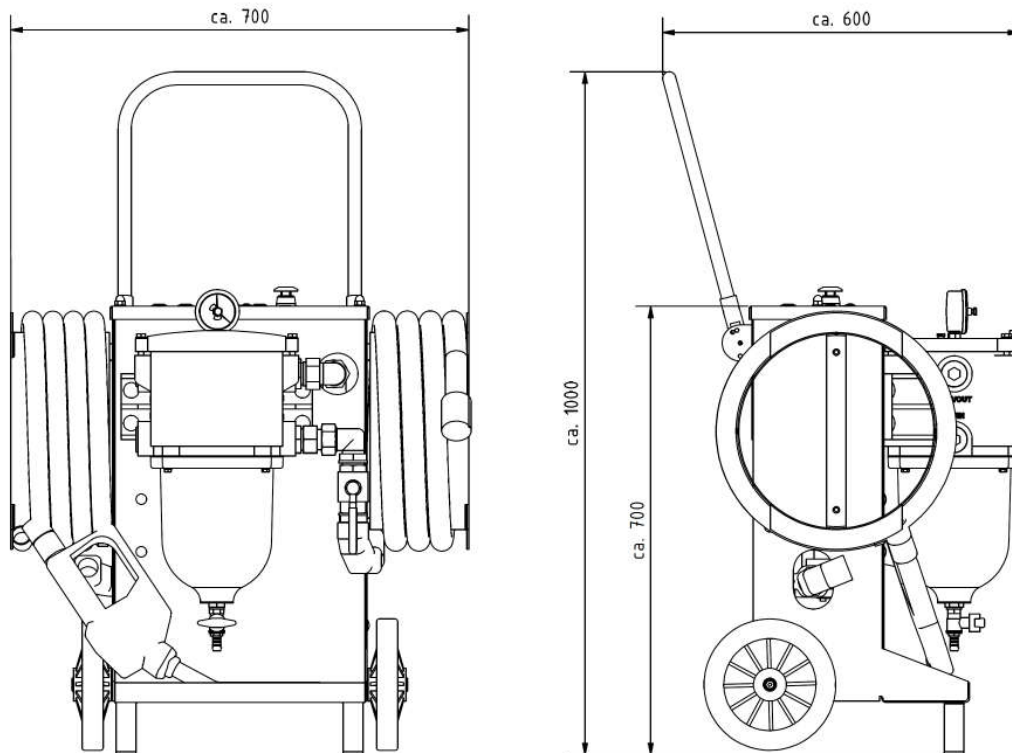
Maximum supply capacity of the pumps: approx. 40 l/min

Maximum net positive suction head: approx. 2 m

5.4 Weight and dimensions

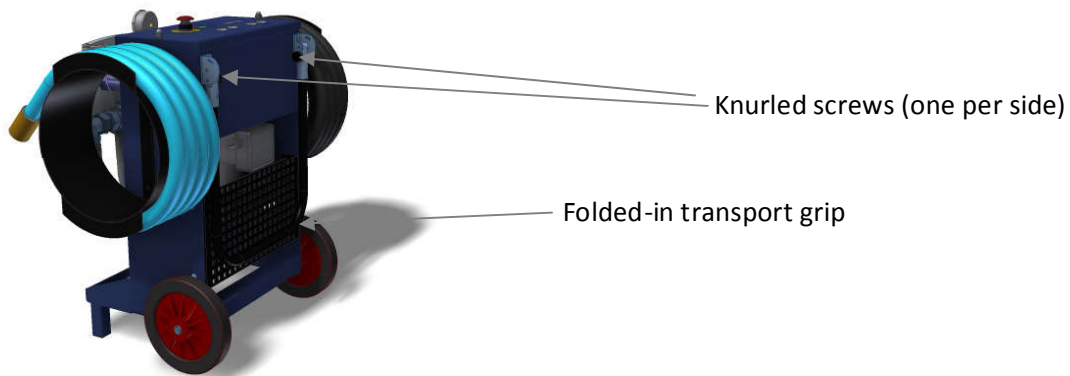
Dead weight (without fuel): 65 kg

The dimensions (tolerances < 5 mm) can be taken from the following drawing.

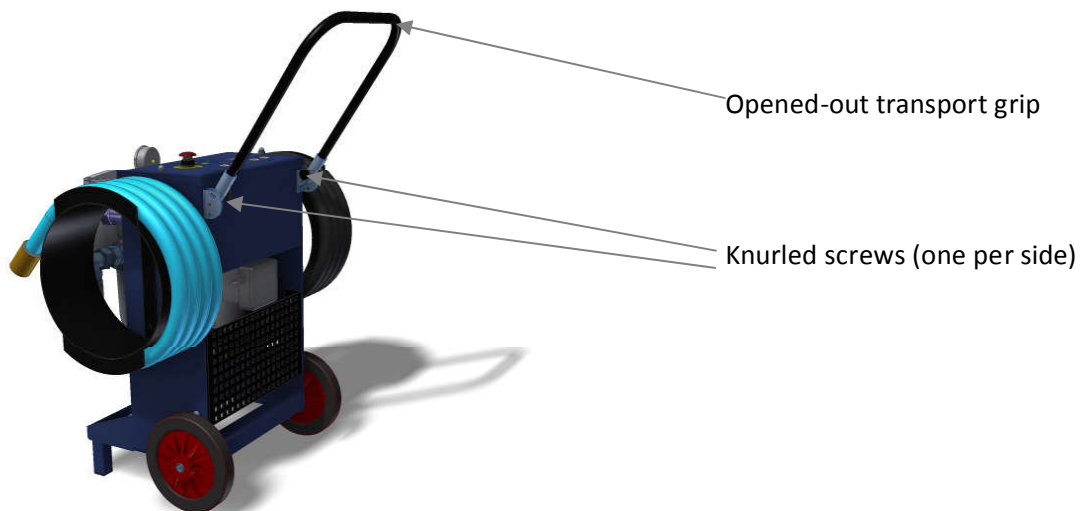


6 Transport grip

The filter mobile is equipped with a hinged transport grip. The transport grip can be fixed in three settings. In the folded-in status (lowest position) the total height is approx. 750 mm.



For transport, the grip is lifted upwards (maximum height approx. 1000 mm). For that, the two knurled screws must be loosened anti-clockwise so far until the transport grip can be pivoted upwards. Pivot the transport grip up until the knurled screws can be turned into one of the upper two bores. Tighten both knurled screws clockwise hand-tight for the fixing of the transport grip.



7 Electrical connections

The SWK-2000/40/WSA filter mobile is provided with two connections for supply voltages:

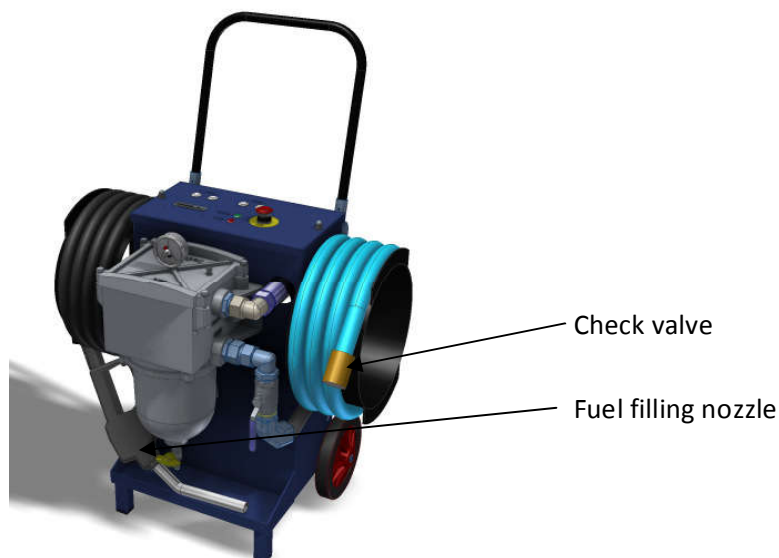
- Connection 1: Plug connector for mains cables with plug incorporating grounding contact, operating voltage 115 V AC to 230 V AC (removable)
- Connection 2: Plug connector for cables with crocodile clips (battery operation), operating voltage 12 V DC (removable)

The SWK-2000/40/WSA filter mobile is protected against incorrect polarity of the operating voltage (12 V DC). However, any operation in case of pole-inversal of supply voltage is not possible.

The SWK-2000/40/WSA filter mobile is supplied as standard with plug incorporating grounding contact. Operation with other mains power connections is also possible with separately available adapter cables, as long as the electrical connected loads are maintained. The supply line for battery operation is included in the scope of delivery. Further design implementations on request.

7.1 Mechanical connections

The SWK-2000/40/WSA filter mobile is provided with two fuel lines. The fuel suction pipe is equipped filter-sided with a shut-off valve and at its end with a check valve, and the output line is equipped with a fuel filling nozzle,



8 Connection

The SWK-2000/40/WSA filter mobile is connected with a suitable voltage supply.

- Mains connection via delivered power cable (115 V AC; 230 V AC):



- Insert power cable into the blue socket on the filter mobile and rotate clockwise until engagement:



- Battery connection using delivered battery lead (12 V DC):



- Insert battery leads into black socket on the filter mobile and rotate clockwise until engagement:

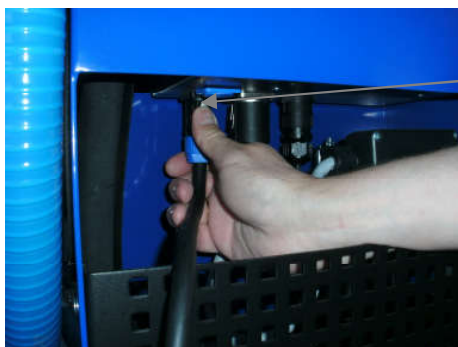


Clamp crocodile clips onto the battery. The red clamp onto the positive terminal and the black clamp onto the minus pole. In case of batteries which are switched in series, it is to be ensured that the crocodile clips are connected to only one battery (12 V).

8.1 Network or battery connection cable dismantling

Both the plug connector of the power cable and the plug connector of the battery lead are equipped with a mechanical interlocking.

For the dismantling of the network or battery connection cable, pull the interlocking of the plug connector on the filter mobile with the thumbs downward and rotate plug connectors anti-clockwise up to the stop. After that, the plug connector can be pulled simply from the socket.



Interlocking

9 Indications and operating elements

For the operation of the SWK-2000/40/WSA filter mobile two buttons, an emergency switch, two indication LED's, one display, one pressure indication and a shut-off valve are available.

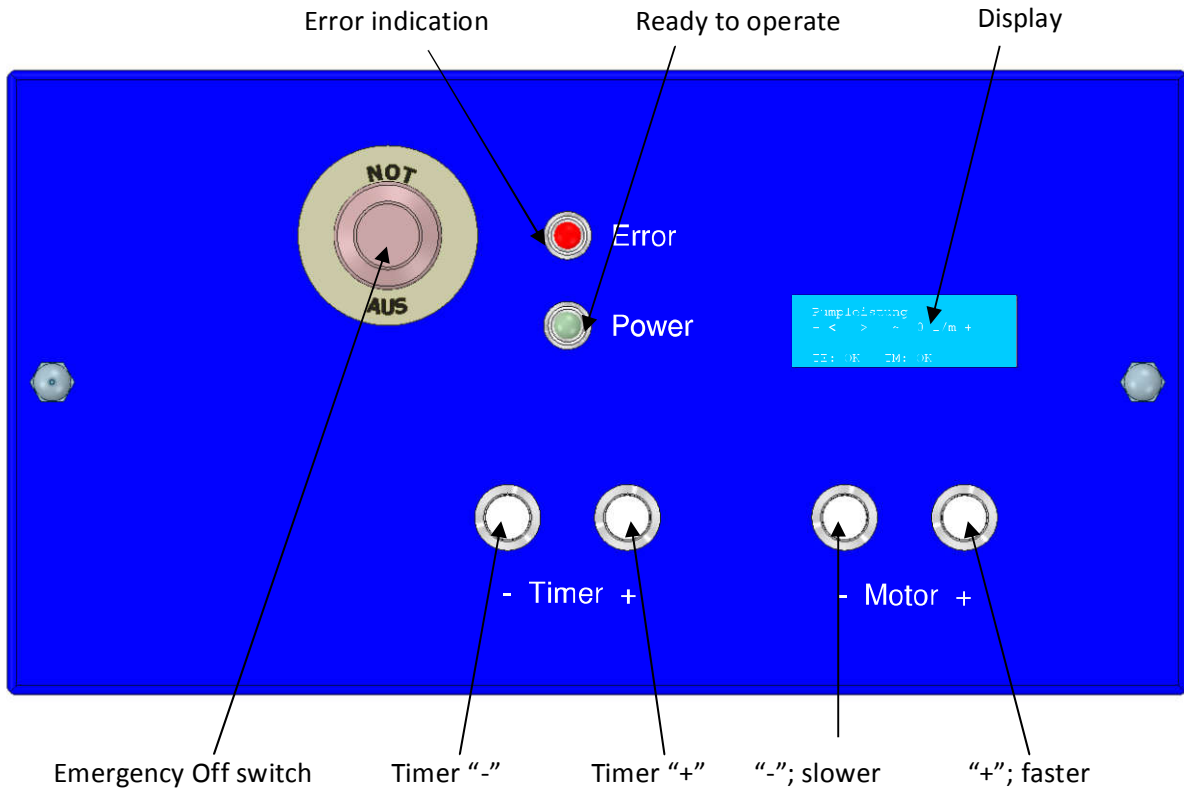
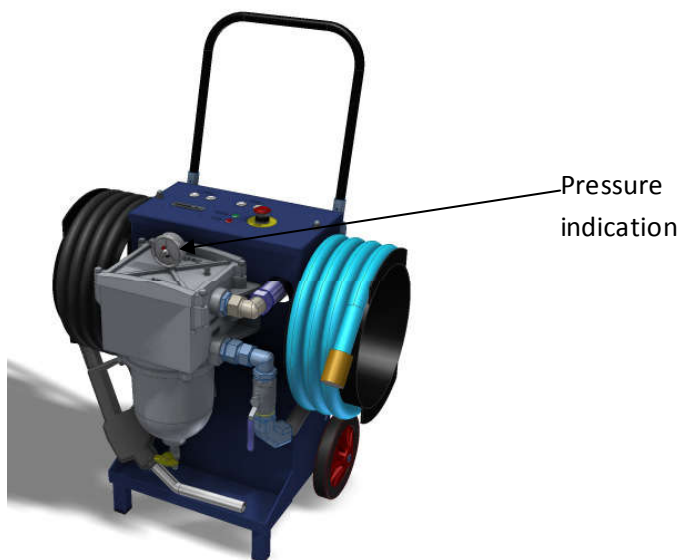


Illustration 1: Indications and operating elements

The SWK-2000/40/WSA filter mobile is equipped with a pressure indication. A dirt accumulation of the filter element can be identified in good time using this instrument by the pressure decrease in the filter system. This pressure indication is located in the cover of the filter casing.



10 Function

Attention! Before operational start-up of the pumps, the shut-off valve is to be opened.



Shut-off valve
closed



Shut-off valve
opened

10.1 Fuel filling nozzle

The fuel filling nozzle is equipped with a latching mechanism. In the engaged status, the fuel filling nozzle is open. As soon as the fuel filling nozzle dips into the fuel during pump operation, the interlocking is released and the fuel filling nozzle closed.



Push tapping lever of the gun



Engage interlocking lever. Fuel filling nozzle is now open.

10.2 Pump and filter operation

After connection to the supply voltage, the operating voltage is switched on by acknowledgement of the emergency switch (pull switch button upwards).

The green operation indication (LED) and the display light up. After the initialisation (initialisation signals always in German), the following switch-on signal is indicated on the display for approx. 2 seconds:

```
Lösing - Filtermobil  
HW-V 1.0  
SW-V 13.0  
SNr.:000099-18.06.14
```

The version numbers, the serial number and the date of manufacture can also be other numerical values, according to implementation.

After that, the selected operating modes are displayed for approx. two seconds:

```
Pump operation mode  
Automatic  
Dry-running monitor.  
manually
```

You can find an explanation of the operating mode in Chapter 10.4.

After successful self-test, the display indicates:

```
Pump flow rate  
- < > ~ 0 l/m +  
TE: OK TM: OK
```

The "-" character in the second line at the left edge indicates the function of the left key and the "+" character in the second line at the right edge indicates the function of the right key. Dependent on the font of the display employed, the characters can vary slightly at the left and right line edge. In the lower line is displayed the temperature status of the electronics and pump motor. In this case "TE: OK" means: the temperature of the electronics is within the planned range, and "TM: OK" means: the temperature of the pump motor is within the planned range. Before beginning the pump and filter operation, the shut-off valve and the fuel filling nozzle are to be opened.

The filter mobile is now ready for operation.

For the start of the fuel pump, the right-hand key "+" must be pressed shortly. The pump ramps slowly up to a supply capacity of approx. 15 l/min. Smaller flow rates cannot be adjusted. If the key "+" is pressed longer, the supply capacity of the pump can be increased to approx. 40 l/min. The instantaneous supply capacity can be read off in the display behind the brackets in l/min. The actual supply capacity depends on many external influences, and can therefore deviate from the indicated supply capacity. An actuation of the key "-" reduces the supply capacity. With an indication of 15 l/min, an actuation of the key "-" results in the disconnection of the pump. If both keys are pressed simultaneously, the pump is also switched off. For the duration of the key activation, the key function is displayed between the brackets.

Key "+" activated:

```
Pump flow rate
- < + > ~ 24 l/m +
TE:  OK      TM: OK
```

Key "-" activated:

```
Pump flow rate
- < - > ~ 22 l/m +
TE:  OK      TM: OK
```

Key "+" and key "-" activated:

```
Pump flow rate
- < + > ~ 24 l/m +
TE:  OK      TM: OK
```

An actuation of the emergency switch (press down forcefully in the direction of front panel) ends all pumping procedures and the electrics and electronics disconnect from the supply voltage.

10.2.1 Timer function

The filter mobile is equipped with a timer function, with which allows the pump to be operated for a preselected time. The pumping procedure is ended automatically after this time.

10.2.1.1 Adjusting the required runtime

The runtime can be adjusted in intervals of 15 minutes, up to a maximum of 2 hours. In order to initiate this setting-adjustment process, the key "Timer +" must be pressed with pump operation switched off. In the display, the following indication appears:

```
timer adjustment:  
runtime: 00:15:00
```

A minimum runtime of 15 minutes is already preset. As a result of actuation the keys "Timer +" and "Timer -", the required runtime can be adjusted. If the keys "Timer +" and "Timer -" are activated simultaneously, the procedure is interrupted and the control returns to the basic status. When the timing has ended, this setting menu can be exited with the key "+; faster".

```
Pump flow rate  
- < - > ~ 0 l/m +  
Time left: 00:15:00  
  
TE: OK      TM: OK
```

With the keys "+; faster" and "-; slower", the required pumping capacity can be adjusted as described in Chapter 8.2. The residual runtime of the pumps is updated continuously in the display. After this time the pump switches off automatically and the filter mobile returns to the basic status. Every time-controlled pump operation is implemented only once.

10.2.1.2 Timer operation interruption

The simultaneous actuation of the keys "+; faster" and "-; slower" or the actuation of the Emergency Off switch interrupt the timer operation and end the pumping procedure. The filter mobile returns to the basic status.

10.2.2 Fault reports

If the operation indication does not light up with proper connection of the supply voltage and after the reset-acknowledging of the emergency switch, there is an internal defect. In this case, the repair must be implemented by the manufacturer.

10.2.2.1 Operating voltage too high

If, in battery operation, a voltage of more than 15 V is connected by mistake (e.g. 24 V through series switching of two 12 V batteries), a fault report appears in the display:



```
A T T E N T I O N  
Failure: > 12 V!
```

The fault report is deleted by connection of the correct operating voltage and a new start.

10.2.2.2 Operating voltage too low

If, in battery operation, a voltage of less than 10 V is connected by mistake (e.g. 6 V battery, as in very old vehicles), a fault report appears in the display:



```
A T T E N T I O N  
Failure: < 10 V!
```

The fault report is deleted by connection of the correct operating voltage.

10.2.2.3 Temperature of the pump too high

For the protection of the pumps, the filter mobile is equipped with an automatic temperature and load-dependent pump control. To avoid pump temperatures which are too high, this regulation reduces the power consumption of the pumps as appropriate. As soon as this regulation intervenes in the pump control, this status is indicated by "!".

```
Pump flow rate  
- < - >! ~ 29 l/m +  
TE: OK   TM: OK
```

If, during operation, the motor temperature of the pump exceeds the permissible limit value in spite of regulation, the pump is switched off and the following signal appears in the display:

```
A T T E N T I O N  
Drive too hot
```

The pump can be switched on again only when the pump motor has cooled down.

10.2.2.4 Too high temperature of the electronic control

If, during operation, the temperature of the electronics exceeds the permissible limit value, the pump is also switched off and the following signal appears in the display:

```
A T T E N T I O N  
Electronic too hot
```

The pump can be switched on again only when the electronics has cooled down.

An excessive amount heat with the pump or electronics can have various reasons; amongst those are too high ambient temperature and a too high viscosity of the pumped and filtered media.

10.3 Selection of the display-language

The signals in the display can be displayed in 8 different languages. In order to select the required language, the filter mobile is connected to the supply voltage and the emergency switch activated. If the keys "+" and "-" are activated simultaneously during switch-on procedure (unlocking of the emergency switch), the menu for the selection of the required language is accessed.

```
Deutsch <English  
Nederlands Francais  
Español Polski  
Türkçe Italiano
```

The character "<" behind the respective language shows the currently selected language. With the key "-" a change can be made between the different languages. The character "<" then skips to the next possible language. With the key "+" the language is selected, behind which the character "<" is displayed momentarily. If e.g. German is selected, as can be seen in the above illustration, in the display there appears the signal:

```
Sprache:  
Deutsch
```

If e.g. Polish is selected, there appears:

```
Jezyk:  
Polski
```

The language selected in each case is stored and retained for the following operation, also when the filter mobile is switched off and on again.

After the language selection, the filter mobile changes into standard operation, as described in the previous sections.

10.4 Automatic pump disconnection and dry-running monitoring

The filter mobile is equipped with an automatic disconnection of the pump motor. As soon as the fuel filling nozzle dips into the fuel with on-going pumping, the fuel filling nozzle closes automatically. So that the fuel pump does not continue to remain in this operating state unnecessarily, the electronic control switches the pump off approx. 2 seconds after the fuel filling nozzle was closed.

Under certain circumstances (e.g. large net positive suction heads, low temperatures or operation with highly viscous fuels) faulty disconnections of the pump motor can result. For such cases, the automatic pump switch-off can be disabled.

The dry-running monitoring switches off the pumps if no fuel has been suctioned for longer than 5 minutes. For a secure function, the shut-off valve and the fuel filling nozzle must be open.

Under certain circumstances this function can also lead to faulty disconnections (e.g. if the fuel indicates a very low viscosity). For such cases, the dry-running monitoring can also be disabled. If the automatic pump disconnection or the dry-running monitoring, or both functions, have been switched off, the operator is responsible for the manual disconnection to avoid damage.

10.4.1 Selection of the automatic pump disconnection and the dry-running monitoring

The operating mode of the pump can be changed from automatic disconnection to manual disconnection. In order to select the required operating mode, the filter mobile is connected to the supply voltage and the emergency switch activated. If the timer keys "+" and "-" (in this case the two left-hand keys) are activated simultaneously during the switch-on procedure, the menu is accessed for the selection of the required operating mode. In the display, the following signal appears:

```
Pump operation mode
<+> automatic
<-> manually
```

The timer keys "+" and "-" can now be released. With the keys "+" and "-" (in this case the two right-hand keys), the operating mode can be selected.

The key “+” selects the automatic operating mode, with which the pump motor is switched off automatically after the closing of the tap. In the display the signal appears:

```
Pump operation mode  
automatic
```

The key “-” selects the manual operation, with which the pump motor can be switched on and off manually only. In the display the signal appears:

```
Pump operation mode  
manually
```

Directly after this signal, the selection menu for the dry-running monitoring appears.

```
Dry-running monitor  
  
<+> automatic  
<-> manually
```

With the keys “+” and “-” (in this case the two right-hand keys) the dry-running monitoring can be switched on and off. The key “+” selects the automatic operating mode, with which the pump motor is switched off after approx. 5 minutes in case of dry running. In the display the signal appears:

```
Dry-running monitor  
automatic
```

The key “-” selects the manual operating mode, with which the pump motor must be switched off manually in case of dry running. In the display the signal appears:

```
Dry-running monitor  
manually
```


10.5 Water sensor

After switching on the operating voltage, the water indication, independent of the medium in which the sensor surfaces are located, does not display any water. About 1 second later, the measurement procedure starts. The water sensor implements the necessary measurements over more than two surfaces in the medium to be examined.

After the assessment, the result is output over the display and the red LED. The indication is implemented in all cases delayed, in order to avoid a flickering of the indication in case of fluctuating medium.

Normal operation: The sensor is flushed with fuel. The red LED remains dark. In the display, no signal is output.

Water in the fuel: The sensor is flushed with water. The pump is switched off. The red LED lights up and the following signal is output in the display:



A T T E N T I O N
too much water

This signal remains present until the shutdown of the operating voltage, even when no more water flushes the sensor. The filter mobile can be put into operation again only when the water has been removed from the bowl, as described in Chapter 11.1.1.

Faults in the sensor: The red LED changes into flashing mode. In the display the signal "Too much water" appears in the same rhythm. After removal of the fault, red LED and the display again indicate the result of the measurement.

11 Notes on use

The SWK-2000/40/WSA filter mobile may not be employed in case of damage to the filter casing, the supply lines and the electrical cables. In this case, repair is necessary with the manufacturer.

The water sensor may not be employed with damaged measurement tip. For better identification of damage, the measurement tip is painted green. Scratches or paint-free surfaces indicate damage to the sensor and require the replacement of the affected sensor.

11.1 Maintenance

Before all maintenance work the filter mobile is to be disconnected from the supply voltage, the shut-off valve is to be closed and both fuel lines may not be immersed in liquids.

11.1.1 Water drain

If the filter bowl is filled with water up to the installation level of the water sensor, this filling level is reported over the water indication (red LED on the front panel of the filter mobile). The collected water must be drained off now at the latest.

For a precise description of the procedural method, see:

" Installation instruction SEPAR english.pdf"

11.1.2 Filter change

According to dirt accumulation, the filter element must be changed at regular intervals. Before the change, any water and dirt which are still present in the filter system must be drained off via the drain valve into a suitable container.

For a precise description of the procedural method, see:

" Installation instruction SEPAR english.pdf"

11.1.3 Sensor technology

The water sensor is wear-free and maintenance-free. However, it must be ensured that the sensor surfaces indicate no contamination or damage in order to obtain unambiguous results of measurement. If the sensor should indicate any damage, the sensor must be replaced. Repair is not possible.

11.1.3.1 Dismantling and installation of sensor

Before the sensor removal, the filter is to be emptied completely (see Chapter Filter change). The sensor is bonded in, however, it can easily be removed from the filter bowl with a matching open-end wrench. The removed sensor can now be examined for dirt accumulation and damage. If no fault is detectable, the sensor can be re-installed after cleaning of the sensor and filter bowl (see Chapter 11.2 and 11.311.3).

The removed sensor is sealed with the enclosed O-ring. The screw thread of the water sensor is coated with a suitable, non-alcoholic and soluble bolt-securing agent (e.g. Delo-ML 5298) and secured against falling out by this. The sensor thus prepared is screwed hand-tight into the filter bowl. The restart of operation may not be implemented until after the complete drying of the bolt-securing agent. The mandatory drying time depends on the employed bolt-securing agent and is to be looked up in the relevant data sheets.

11.2 Filter bowl cleaning

Only clean diesel oil should be employed for the cleaning of the filter bowl.

For a precise description of the procedural method, see:

" Installation instruction SEPAR english.pdf"

11.3 Water sensor cleaning

After removal, the water sensor can be cleaned with a soft cloth. In the case of fixed-adhering contamination, a non-alcoholic, standard household cleaner may be applied with the cleaning cloth. The cleaning agent must be completely removed after that. The water sensor may not be employed until after complete drying, as described in Chapter 11.1.3.1.


The employment of sharp cleaning tools or sharp and peaked objects can lead to damage to the sensor surfaces and therefore must be avoided.

12 Declaration of conformity



EG-Konformitätserklärung EU-Declaration of Conformity

Hiermit bestätigen wir, dass das nachfolgend bezeichnete Gerät den angegebenen Richtlinien entspricht.
We herewith confirm that the appliance as detailed below complies with the mentioned directives.

Artikelbezeichnung: Article description:	Filtermobil
Artikelnummer: Article number:	062386
Type:	Filtermobil SWK-2000/40/WSA
Firmenanschrift: Company address:	Willibrord Lösing Filtertechnik e. K. Am Walzwerk 2 D-45527 Hattingen
Einschlägige EG-Richtlinien: governing EU-directives:	Elektromagnetische Verträglichkeit Electromagnetic compatibility (EMC) 2004/108/EC Niederspannungs-Richtlinie Low voltage directive 2006/95/EC Maschinen-Richtlinie Machinery directive 2006/42/EC
Unterschrift: Signature: ppa.	
Stellung im Betrieb: Prokurist Position: Proxy holder	
Ausstellungsdatum: Date of issue: Hattingen, 19.01.2011	

13 Index

Automatic pump disconnection	23	Measurement tip	26
Bolt-securing agent	27	Motor temperature	21
Cleaning agent	27	Notes on use	25
Display	14	Operating voltage	8
Dry running monitoring	23	Sensor surface	25
Emergency switch	14	Shut-off valve	14
Hardware version	8	Software version	8
Language selection	22		